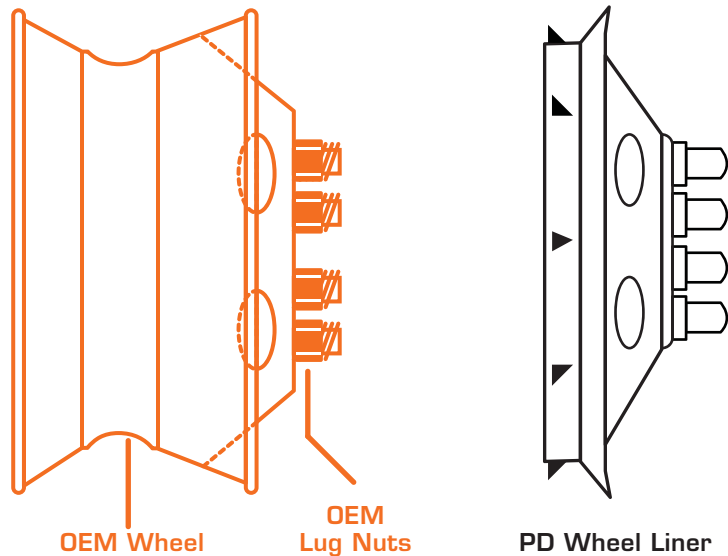


WHEEL SIMULATOR KIT CONTAINS:

- Item 1. (2) Front Stainless Steel Wheel Simulators
- Item 2. (2) Rear Stainless Steel Wheel Simulators

MOUNTING DIAGRAM:



!! WARNING !!

- * Failure to follow all instructions could result in wheel loss, resulting in serious injury or death.
- * Read all instructions before beginning installation & Follow all instructions in order presented.
- * Be careful when handling products - some products have burrs & sharp edges from the manufacturing process; use of gloves and proper tools are highly-recommended.

INSTALLATION:

- Step 1. Align the wheel simulator to the OEM Wheel vent holes.
- Step 2. With a quick, firm nudge, press the wheel simulator onto the OEM Wheel - making sure that the wheel simulator snaps securely into place.
- Step 3. Repeat Steps 1 & 2 for each of the remaining wheels.